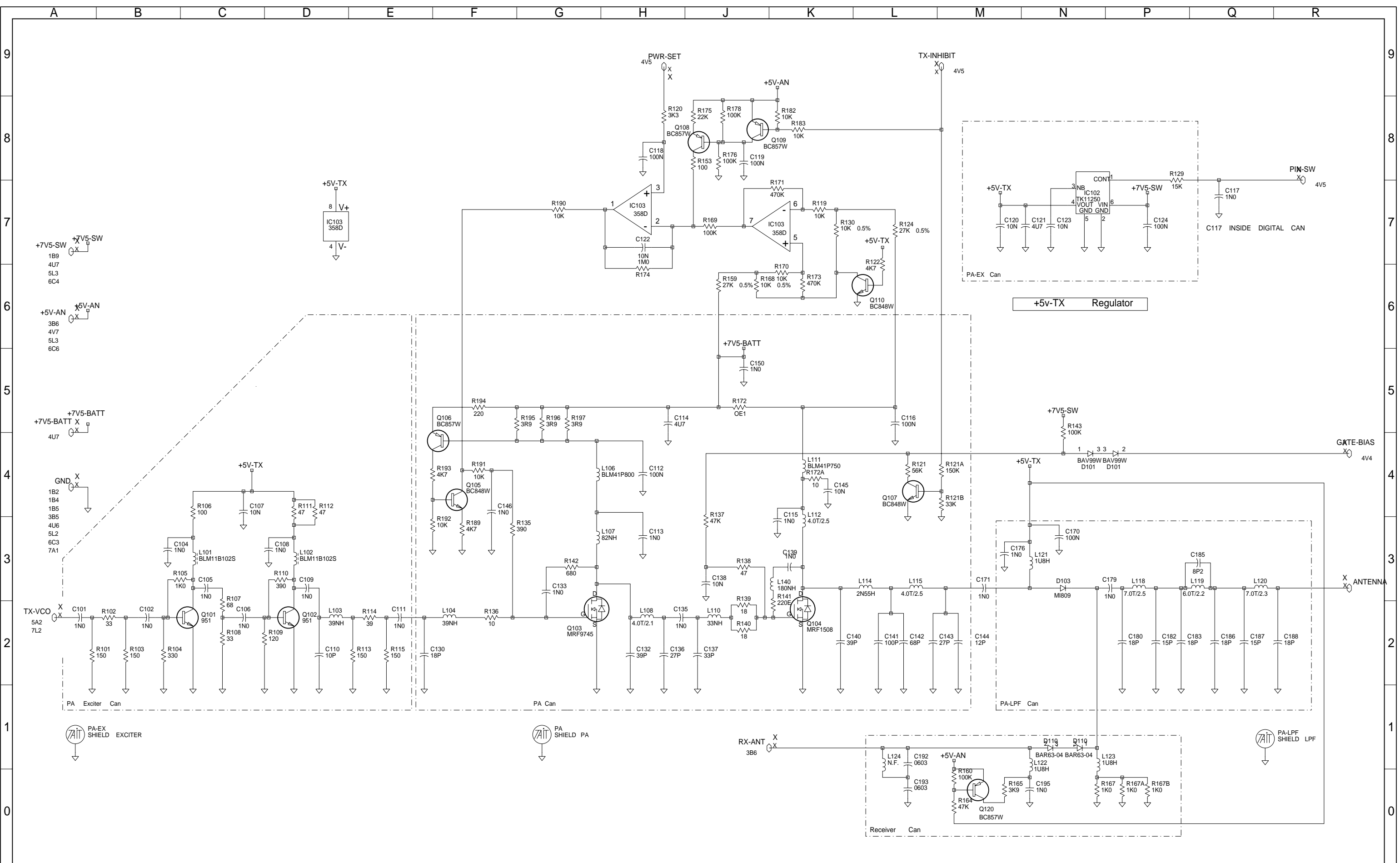


05 A	ECO NO.	CJK	X	X	X	X
04 A	MORE PA MODS	DBH		DBH	CI	31/03/98
03 A	UPDATE TO INCL. NEW PA LINEUP	DJW/MJ	X	X	X	29/04/98
REV/ISS	AMENDMENTS	DRAWN	CHKD	D.O.	APVD	DATE

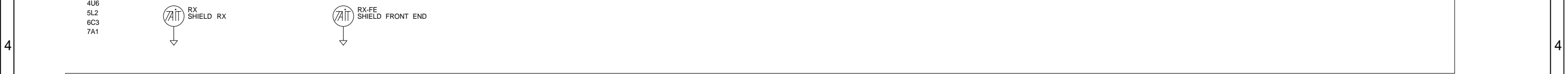
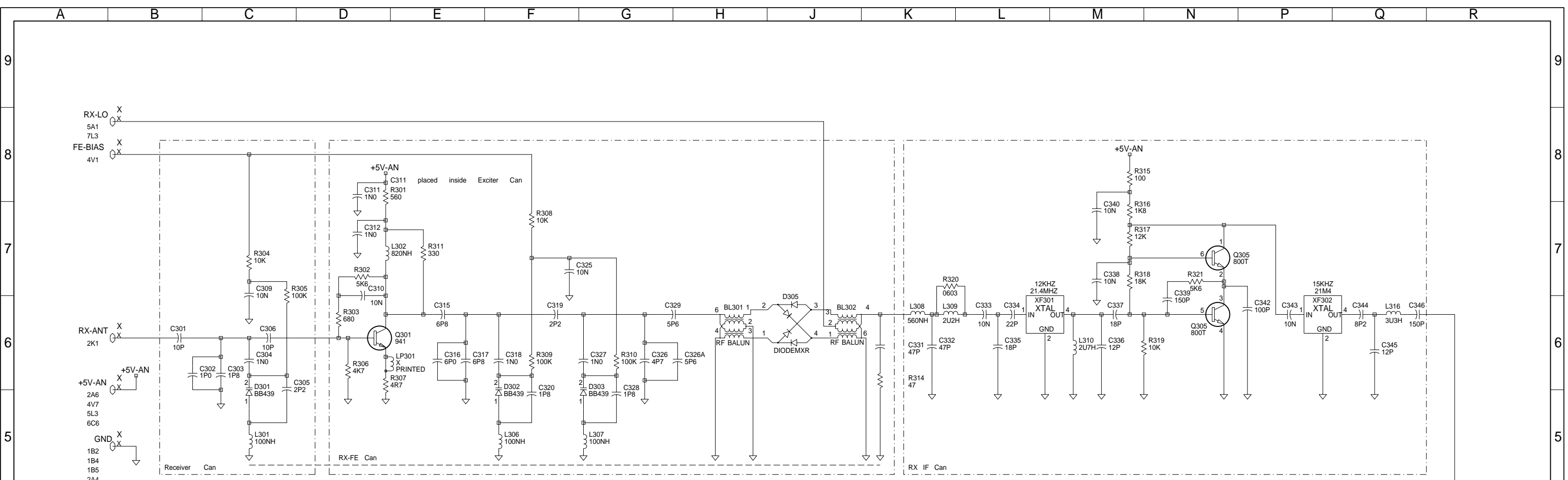
VHF
Tait Orca

© TAIT ELECTRONICS
 ORCA :TP010-3122 136-174MHZ
 SYSTEM DIAGRAM
 IPN: 220-01401-05 ISSUE: A ID: 2.S.C. 1
 PROJECT: TAIT ORCA DESIGNER: DBH FILE NAME: 140105A FILE DATE: 30-9-98 NO.SHEETS: 7



03A	NEW PA LINEUP (DW,BC-S,LL)	DJW	X	X	X	29/04/98
REV/ISS	AMENDMENTS	DRAWN	CHKD	D.O.	APVD	DATE

© TAIT ELECTRONICS
 ORCA :TP010-3122 136-174MHZ
 POWER AMPLIFIER
 IPN: 220-01401-05 ISSUE: A ID: 2.S.C. 2
 PROJECT: TAIT ORCA DESIGNER: DBH FILE NAME: 140105A FILE DATE: 30-9-98 NO.SHEETS: 7



Variant Table

Part	NB	MB	WB
XF303	G		D
XF304	G		D
R390	330K		68K
C370	27p		22p
C369	470p		330p

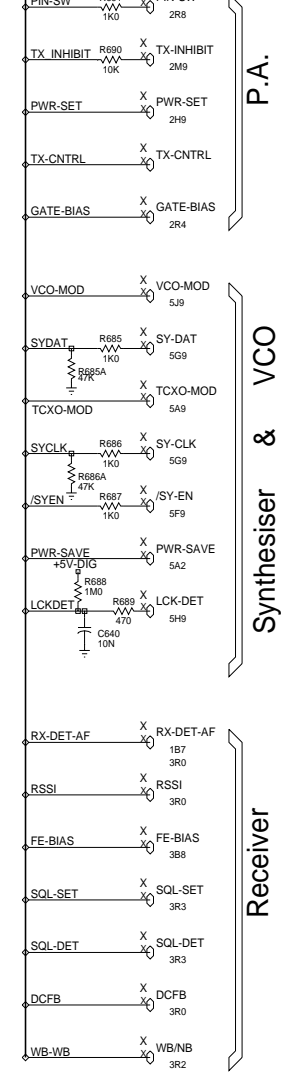
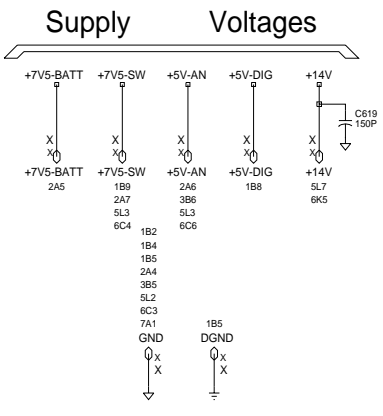
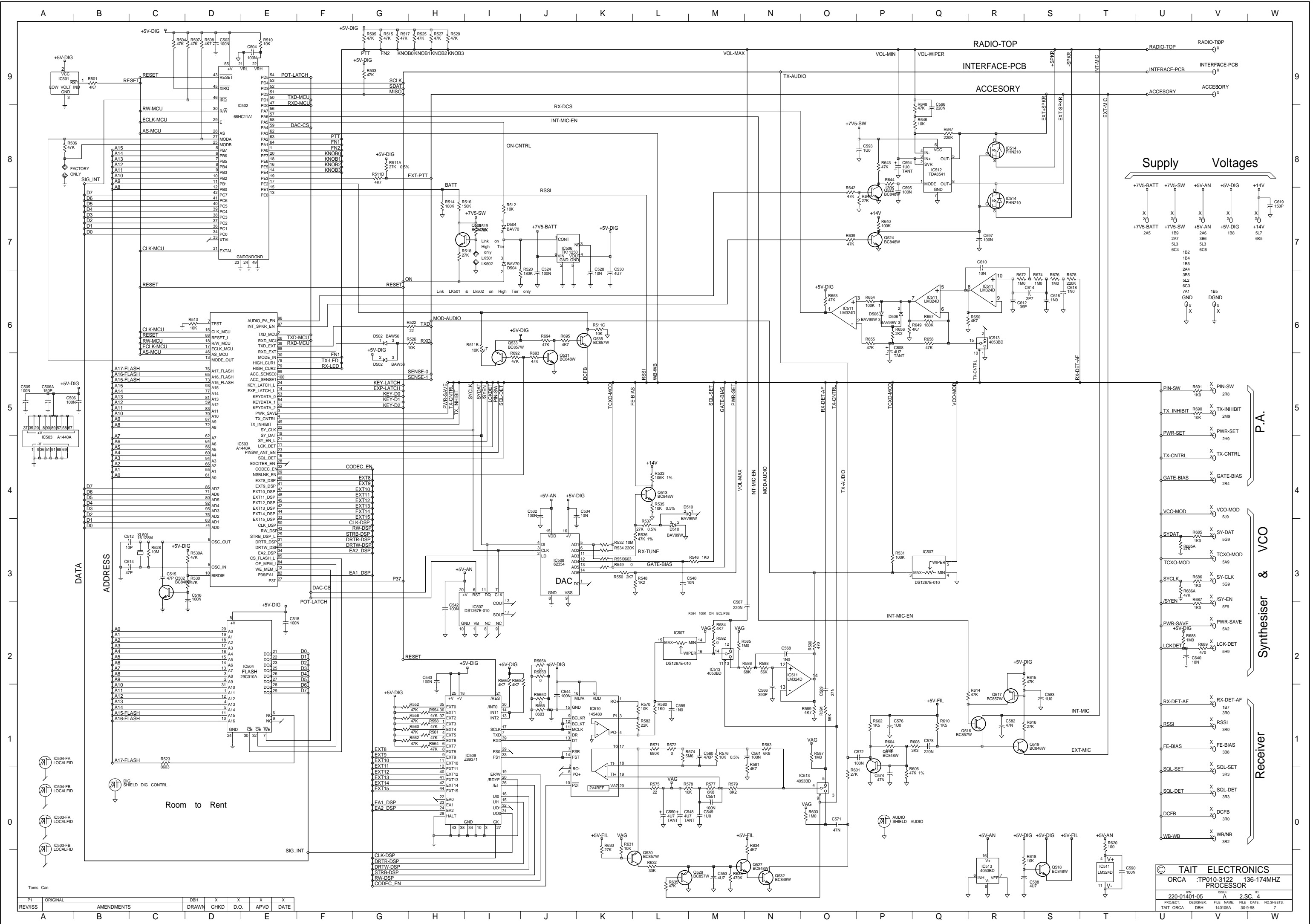
03 A	COMP.VALUE CHANGES IN FRONT END.	DJW	X	X	X	28/04/98
REV/ISS	AMENDMENTS	DRAWN	CHKD	D.O.	APVD	DATE

© TAIT ELECTRONICS

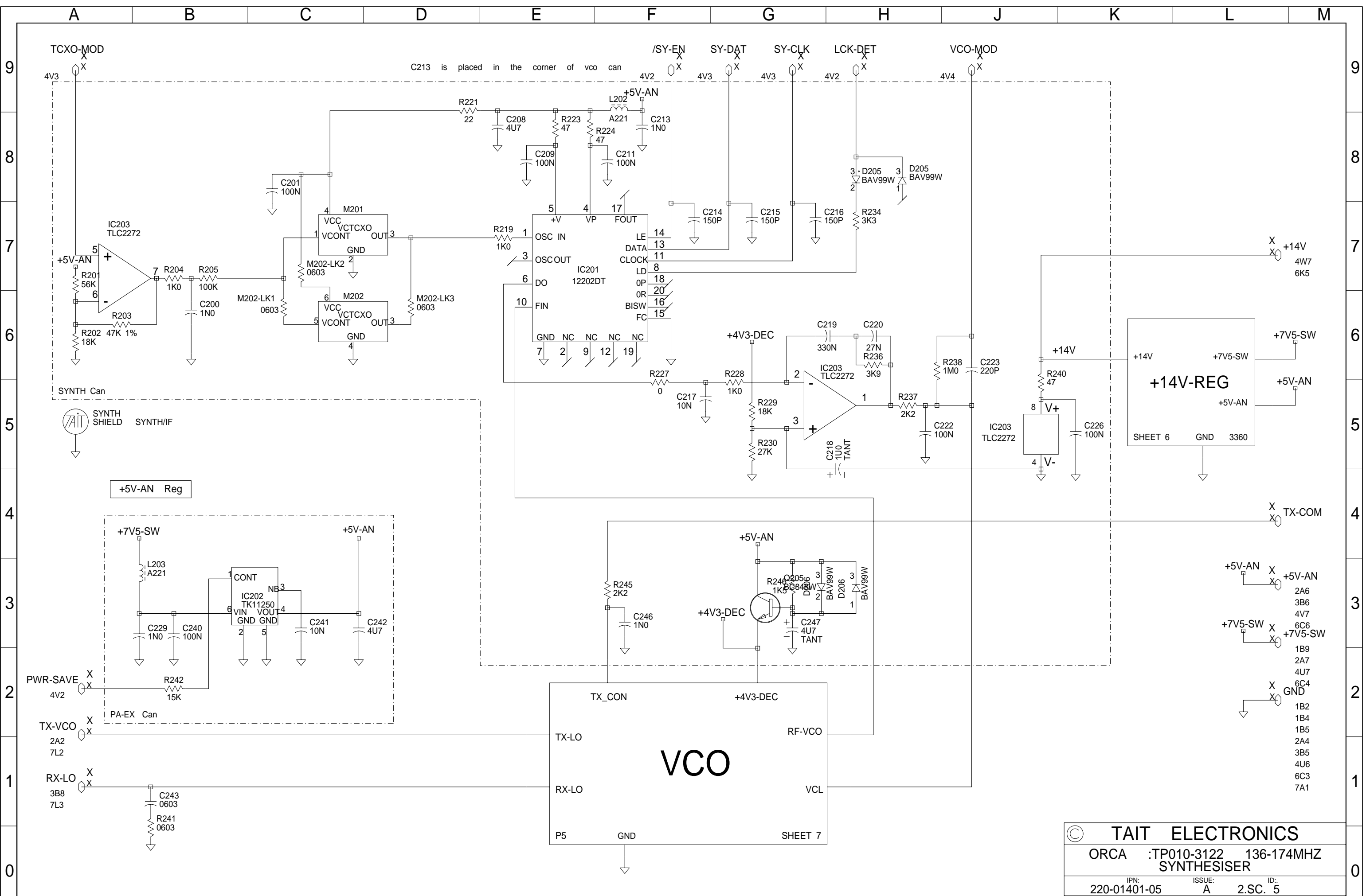
ORCA :TP010-3122 136-174MHZ RECEIVER

IPN: 220-01401-05 ISSUE: A ID: 2.S.C. 3

PROJECT: TAIT ORCA DESIGNER: DBH FILE NAME: 140105A DATE: 30-9-98 NO.SHEETS: 7

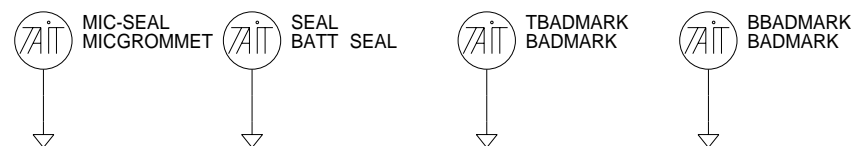
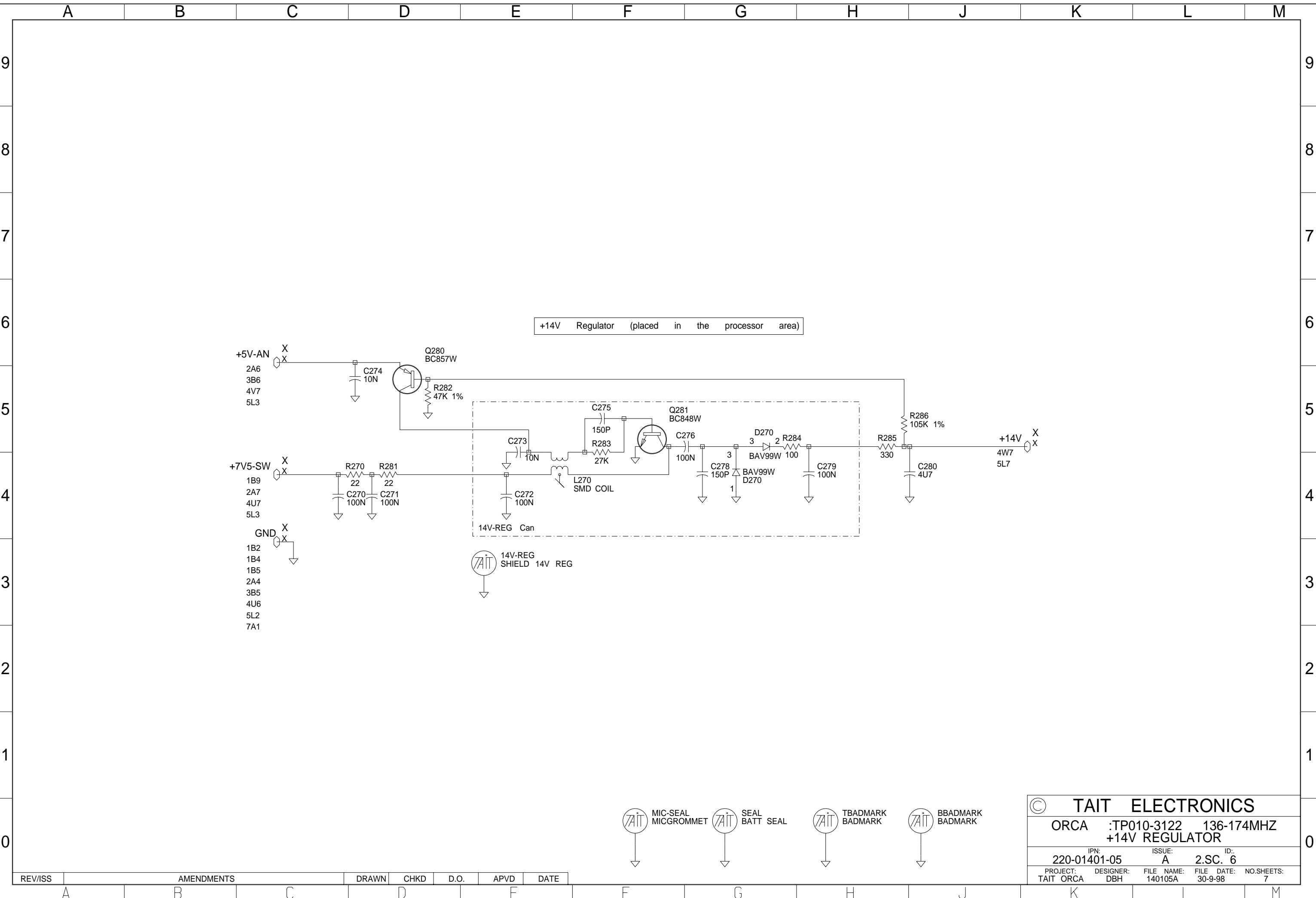


REV/ISS	ORIGINAL	AMENDMENTS	DBH	CHKD	X	X	X	X
			DRAWN	D.O.	APVD	DATE		
A								
B								
C								
D								
E								
F								
G								
H								
I								
J								
K								
L								
M								
N								
O								
P								
Q								
R								
S								
T								
U								
V								
W								



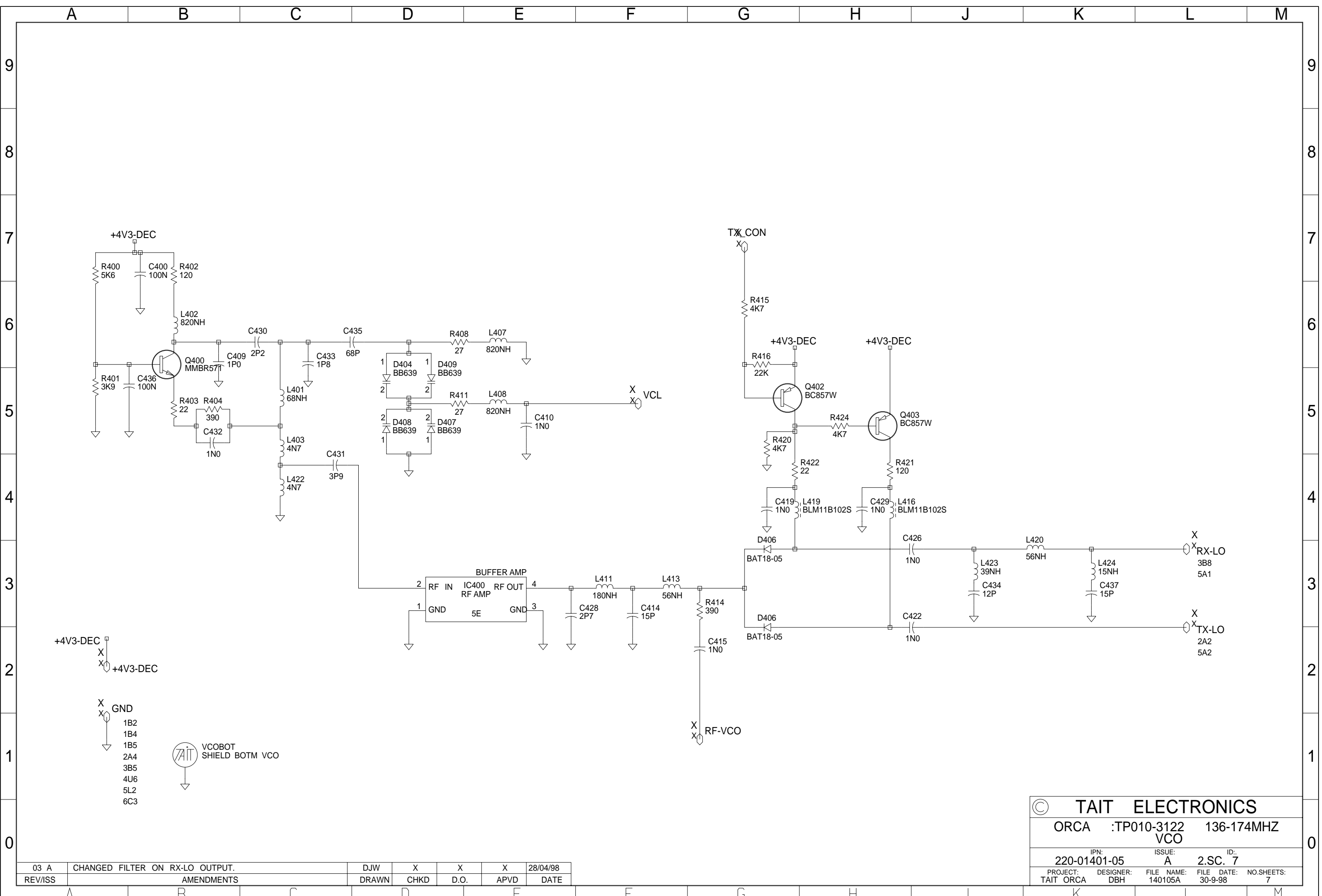
© TAIT ELECTRONICS
 ORCA :TP010-3122 136-174MHZ SYNTHESISER
 IPN: 220-01401-05 ISSUE: A ID: 2.SC. 5
 PROJECT: TAIT ORCA DESIGNER: DBH FILE NAME: 140105A FILE DATE: 30-9-98 NO.SHEETS: 7

REV/ISS	AMENDMENTS	DRAWN	CHKD	D.O.	APVD	DATE



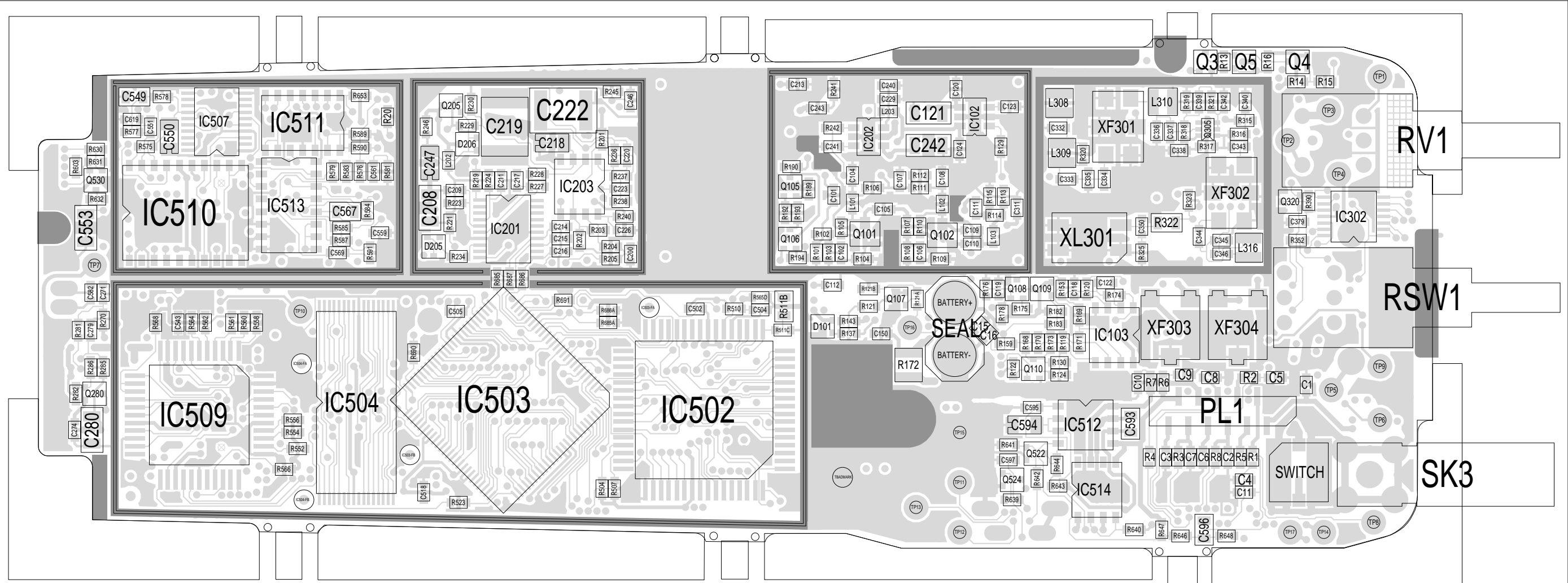
© TAIT ELECTRONICS				
ORCA		:TP010-3122	136-174MHZ	
+14V REGULATOR				
IPN:		ISSUE:		ID:
220-01401-05		A		2.SC. 6
PROJECT:	DESIGNER:	FILE NAME:	FILE DATE:	NO.SHEETS:
TAIT ORCA	DBH	140105A	30-9-98	7

REV/ISS	AMENDMENTS	DRAWN	CHKD	D.O.	APVD	DATE
---------	------------	-------	------	------	------	------



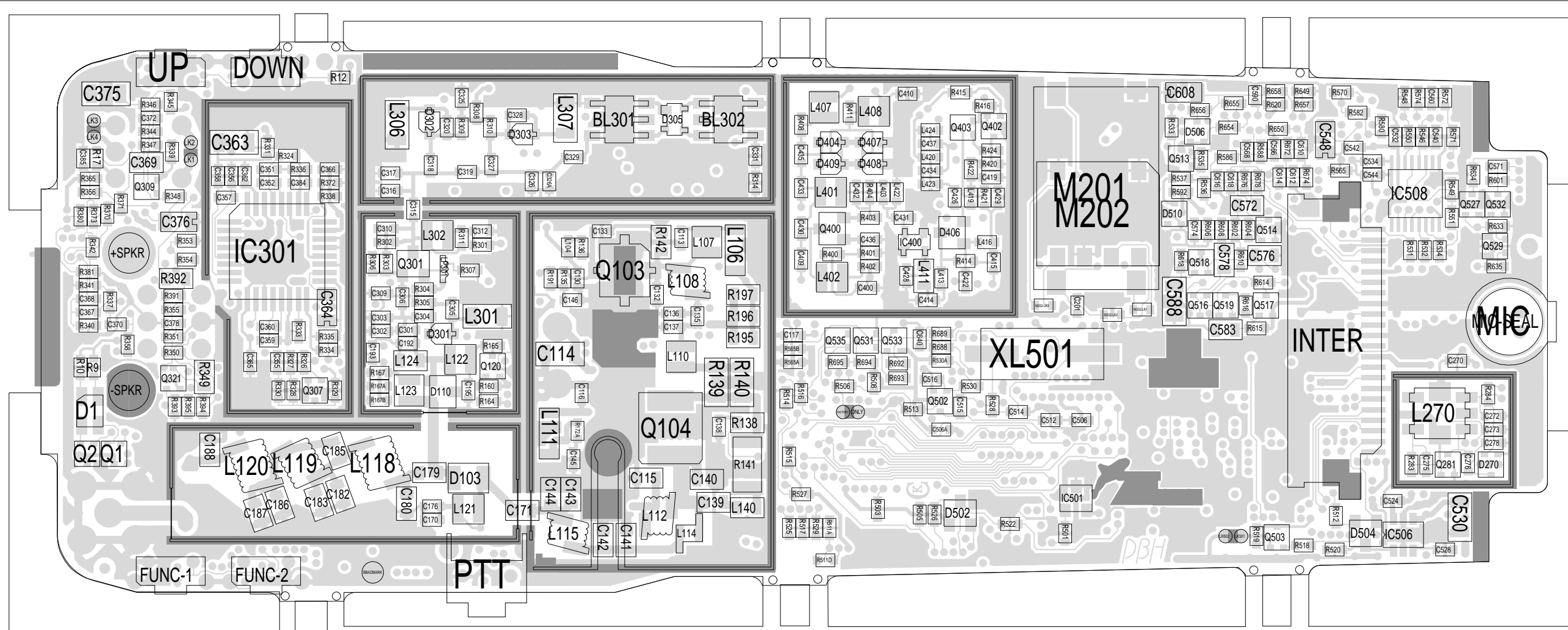
© TAIT ELECTRONICS				
ORCA :TP010-3122		136-174MHZ		
		VCO		
IPN:	ISSUE:	ID.:		
220-01401-05	A	2.SC. 7		
PROJECT:	DESIGNER:	FILE NAME:	FILE DATE:	NO.SHEETS:
TAIT ORCA	DBH	140105A	30-9-98	7

03 A	CHANGED FILTER ON RX-LO OUTPUT.	DJW	X	X	X	28/04/98
REV/ISS	AMENDMENTS	DRAWN	CHKD	D.O.	APVD	DATE



TAIT ELECTRONICS	IPN:	ISS:	ID:	DATE:
	220-01401-05	-05A	1.TA	16 Nov 1998
ORCA VHF PCB LAYOUT - TOP SIDE				

Scale:2.3:1 ; Rotation: 0 degrees



TAIT ELECTRONICS IPN: 220-01401-05 ISS: -05A ID: 6.BA DATE: 16 Nov 1998
 ORCA VHF PCB LAYOUT - BOTTOM SIDE

Scale: 2:3.1 ; Rotation: 0 degrees